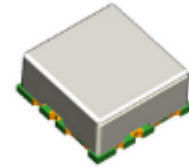




**Features and Benefits**

- Frequency Range:1780MHz
- Supply Voltage:8V
- Current: 28mA Typ.
- Output power: +7dBm Typ.
- Tuning Voltage: 0.5-4.5V
- Phase noise: -123dBc/Hz@10KHz
- Operating temperature: -40°C--+85°C
- Size:12.7x12.7x5.9mm
- Package type: SMD

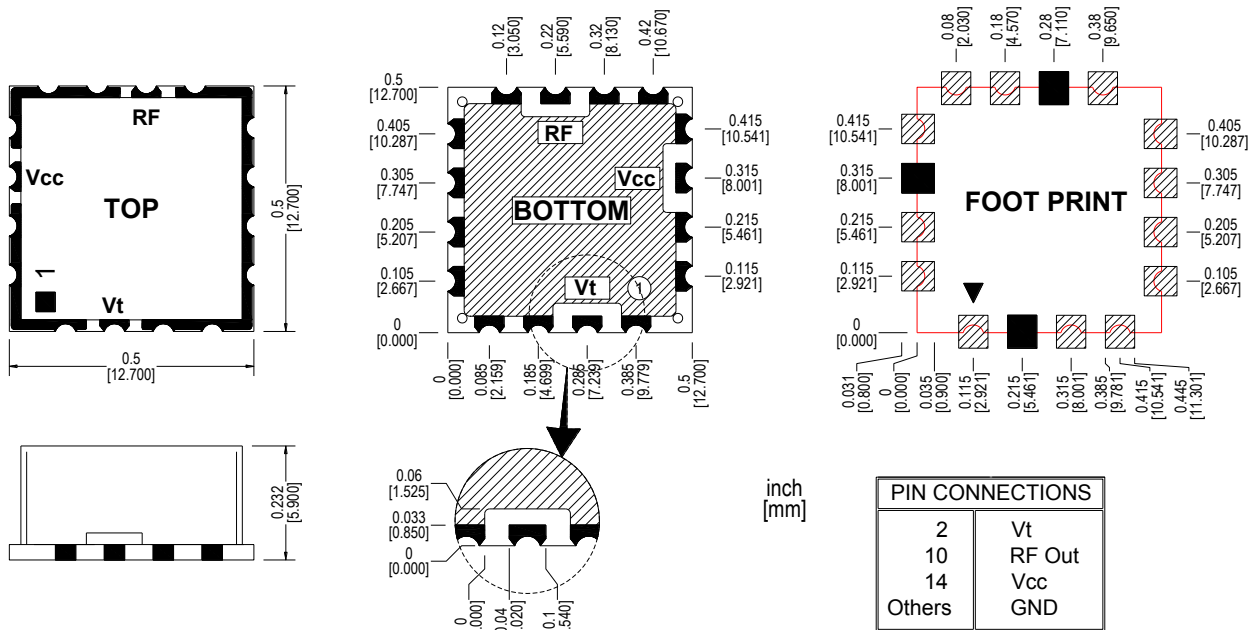


**Typical Applications**

- SATCOM
- Receiver
- Test Equipment
- Radar
- Point –to-Point
- Radio
- MMDS
- WiMax

**Mechanical Drawing & Pin Connections**

**Drawing No: MD140084-3**





### Specifications

| Parameter                            |         | Units    | Min. | Typical | Max. |
|--------------------------------------|---------|----------|------|---------|------|
| Operating Frequency Range            |         | MHz      |      | 1780    |      |
| Power Supply (Vcc)                   | Voltage | Vdc      |      | +8      |      |
|                                      | Current | mA       |      | 28      |      |
| Output Power                         |         | dBm      |      | +7      |      |
| Output Impedance                     |         | Ω        |      | 50      |      |
| Phase Noise @10kHz offset            |         | dBc / Hz |      | -123    |      |
| Phase Noise @100kHz offset           |         | dBc / Hz |      | -143    |      |
| Tuning Voltage (Vt)                  |         | V        | 0.5  |         | 4.5  |
| Tuning Voltage Sensitivity (Kv)      |         | MHz / V  |      | 6       |      |
| 2 <sup>nd</sup> Harmonic Suppression |         | dBc      |      | -16     |      |
| Pushing Figure                       |         | MHz / V  |      | 0.3     |      |
| Pulling Figure                       |         | MHz      |      | 0.5     |      |
| Input Capacitance                    |         | pF       |      | 47      |      |
| Operating Temperature Range          |         | °C       | -40  |         | +85  |