



Features and Benefits

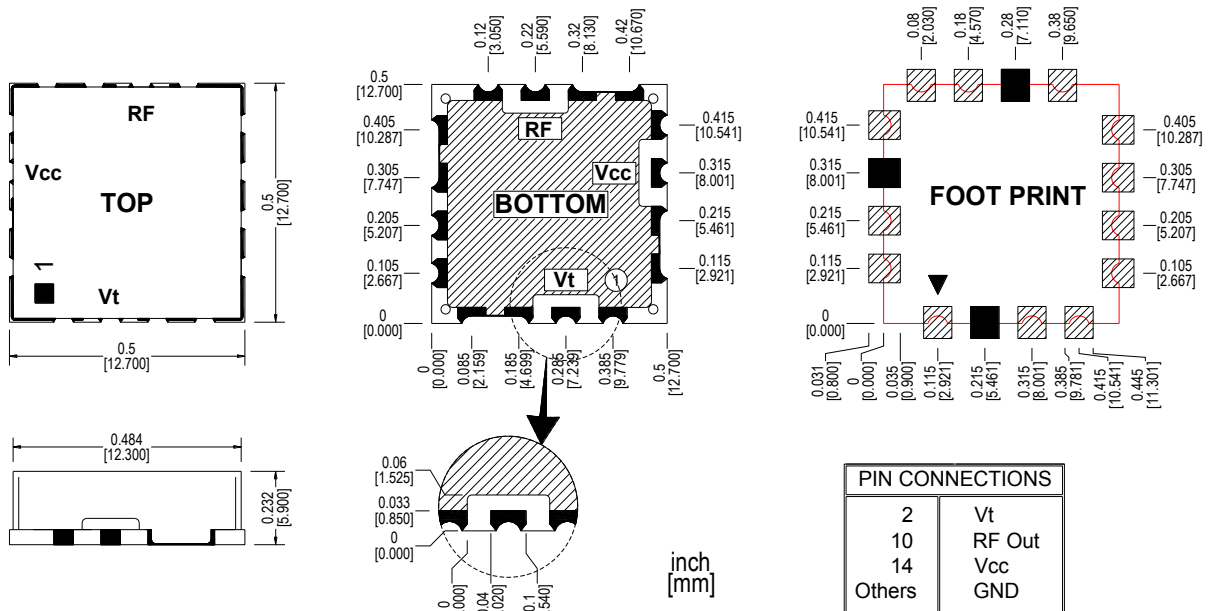
- Frequency Range:982-1015MHz
- Supply Voltage:8V
- Current: 50mA Max.
- Output power: +6dBm Typ.
- Tuning Voltage: 0-12V
- Phase noise: -120dBc/Hz@10KHz
- Operating temperature: -40°C--+85°C
- Size:12.7x12.7x5.9mm
- Package type: SMD

Typical Applications

- SATCOM
- Receiver
- Test Equipment
- Radar
- Point –to–Point
- Radio
- MMDS
- WiMax

Mechanical Drawing & Pin Connections

Drawing No: MD2400(, -&





Specifications

Parameter		Units	Min.	Typical	Max.
Operating Frequency Range		MHz	982		1015
Power Supply (Vcc)	Voltage	Vdc		+8	
	Current	mA			50
Output Power		dBm		+6	
Output Impedance		Ω		50	
Phase Noise @10kHz offset		dBc / Hz		-120	-115
Phase Noise @100kHz offset		dBc / Hz		-140	
Tuning Voltage (Vt)		V	0		+12
Tuning Voltage Sensitivity (Kv)		MHz / V		5-7	
2nd Harmonic Suppression		dBc			-12
Pushing Figure		MHz / V			2
Pulling Figure(12dB RL, all phases)		MHz			2
Input Capacitance		pF		47	
Operating Temperature Range		°C	-40		+85